

Glass marking

with the laser marking module c-mark



Glass marking even with
small and intricate designs

c-mark

MARKINGMODULE

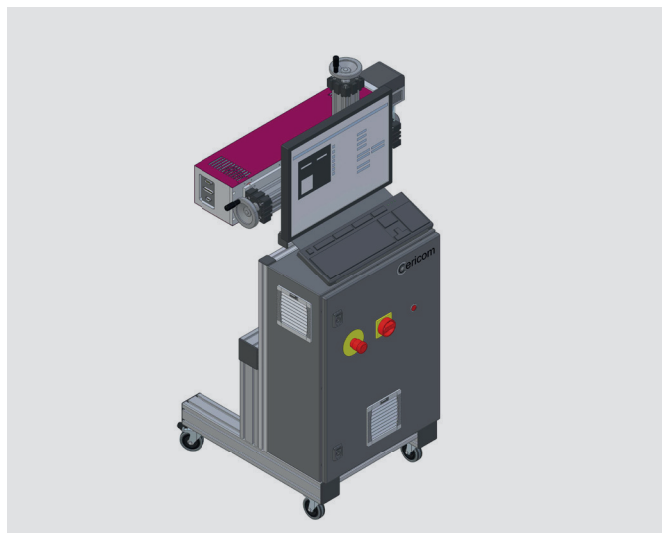
c-mark | Glass marking with the laser

c-mark consists of a module with a laser and 2D scanner, along with an optional lens available with variable focal lengths. An adaptable adapter plate enables easy and flexible integration of the laser marking module into existing systems or production lines, facilitating maintenance and service tasks. The rotating laser scanning head allows for variable laser beam emission, enabling processing, for example, in an „overhead“ position.

The c-mark module can be deployed wherever high-quality markings are required or copyright is a concern – such as for security glass labeling, in the automotive industry, medical technology, or for jewelry and perfumes. c-mark allows for straightforward integration into existing machinery and equipment, and is also available as a standalone solution.

Advantages:

- Permanent traceability
- High-quality and durable marking
- Electronically readable
- No consumables
- Professional software with a user-friendly interface
- Compact module
- Easy and secure installation and maintenance
- Integratable into production lines
- Markings even on tempered glass
- Fast marking (often <1s)
- Suitable for marking many materials
- Low power consumption



c-mark Modul as stand-alone solution

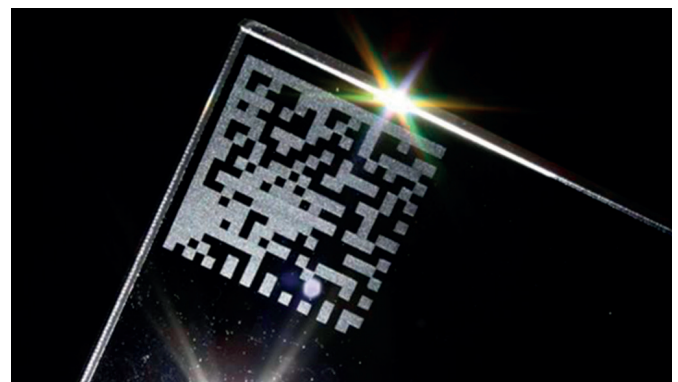


Compact module for use with an existing laser machine.

The compact, adjustable scanning head offers flexibility and precision in laser marking. An adjustable mounting plate with a preset laser position ensures easy switching of laser systems. This system enables highly visible as well as nearly invisible markings, including graphics, text lines in any orientation, barcodes, 2D data matrices, or QR codes. c-mark is suitable for both manual and automated processes, and even allows for „marking on the fly,“ meaning dynamic marking of products while, for instance, the glass is in motion.

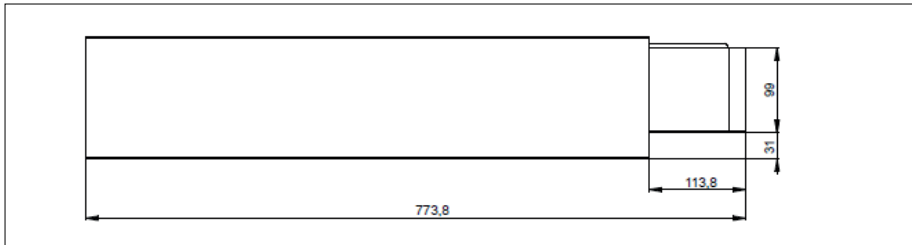
Our compact and powerful module is specifically designed for laser surface engraving and marking of glass and glass ceramics. The primary focus is on conventional float glass, but tempered glass and laminated safety glass are equally well-suited for processing. The simple and robust system design requires exceptionally low maintenance and allows for quick and uncomplicated servicing if needed.

Our laser marking solution successfully combines environmental friendliness, cost-effectiveness, and versatility. Invest in advanced technology and enhance the efficiency of your production processes with the cericom c-mark laser marking system!

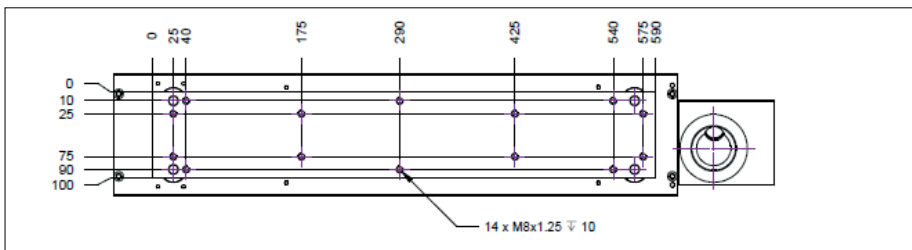


2D barcode generated with c-mark in the highest resolution

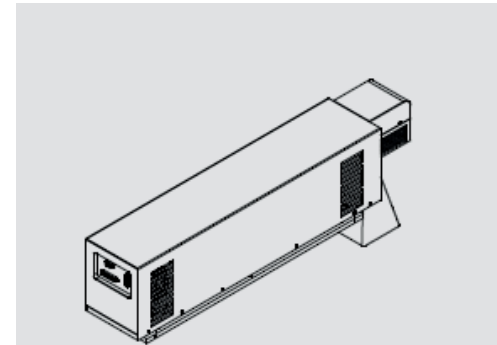
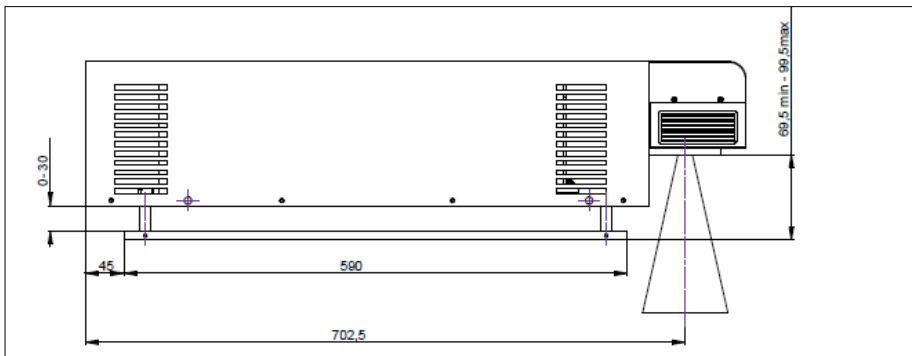
TOP VIEW



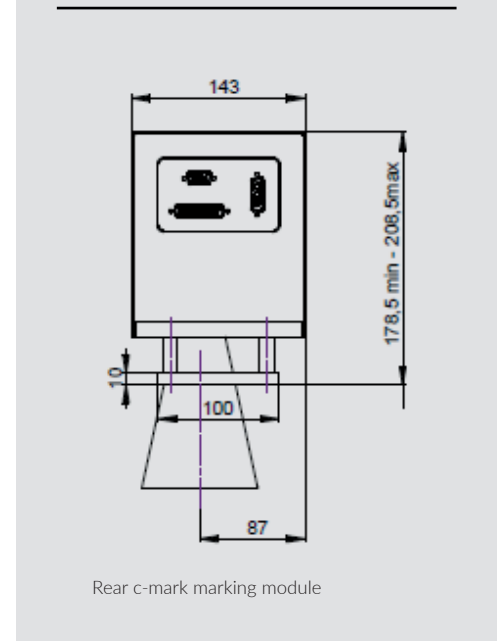
BOTTOM VIEW ADAPTER PLATE



SIDE VIEW



Normal vision c-mark marking module



Rear c-mark marking module

More Information?
Product film:
www.cericom.de/en/downloads/video



Laser				
Laser	CO ₂ (M ² <1.2)			
Max. laser power	30 W			
Power stability	± 6% from cold, guaranteed			
Cooling	Air of fan			
Optical system				
Lens-Focal length (ZnSe)	F-75	F-100 (standard)	F-150	F-200
Marking area [mm x mm]	50 x 50	70 x 70	105 x 105	140 x 140
Focus Diameter [µm]	~ 170	~ 210	~ 290	~ 360
Resolution [dpi]	~ 145	~ 115	~ 90	~ 70
Max. mark speed	1000 marking dots / sec			
Workstation				
Computer	Integrated Shuttle PC, Windows® 10			
Interfaces	1x USB, 1x Ethernet, 1x HDMI			
Interfaces Laser Control	MQTT (automatic production via Ethernet) Laser-Interlock, Marking-Start (24 VDC), Marking-Stop (24 VDC), E-Stop, Error-Reset, Laser-Busy, optional digital I/O's (24 VDC)			
Data format automated	DXF			
Data format manually	DXF, BMP			
Software	C-Control V3 (C-Mark Edition)			
Options / Accessoires				
Extended I/O interface	Additional in- and outputs, 24 VDC			
Additional optional accessoires	Laser safety cap Marking on the fly Foot switch Barcode scanner Exhaust systems			
Dimensions / Installation / Laser Safety				
Dimensions marking module (L x H x W in mm)	774 x 178,5 x 143			
Weight of marking module (incl. laser and laser scanner)	18 kg			
Cable length	3 m (standard) up to 20 m draig chain compatible			
Ambient conditions	Operating temperature range +5 to +35° C. Relative humidity max. 90 %; Non-Condensing			
Mounting Angle of Scanner (min. Working distance)	0° (77.8 mm); 90° (49.1 mm); 180° (56.1 mm); 270° (49.1 mm)			
Electrical Requirements	115 - 230 VAC, 16 A, 50/60 Hz, 1/N/PE			
Power Consumption	< 1000 W (inkl. Laserkühlung)			
System Protection	Marking Head: sealed against spray water (IP 54) Laser Rack Unit: dust protected (IP 20)			
Laser Class	CDRH Laser Safety, Laser Class 1-4 (depends on integration situation), CE certified			
Color	aluminium brushed			



Not only for identification, but also for finishing and decorative purposes



Stand-alone version of the c-mark module